



MOBILE MATE

HERCULES
COMPLETE LIFTING SOLUTIONS

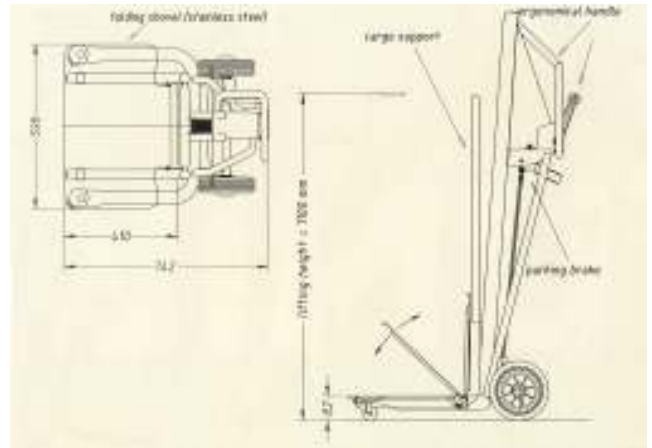
The Mobile Mate is a manual lifting device that enables loads of up to 170kgs to be transported easily due to its ergonomic design and light weight. It has a 1100mm lifting height.

The Mobile Mate has a tubular steel construction to give maximum durability, with a high quality galvanised plated finish that is suitable for clean and industrial environments.

- Easy to use.
- Highly manoeuvrable.
- Parking brake on both rear wheels.
- 50 mm load-strap instead of a steel cable or chain maintenance-free and clean.

SPECIFICATIONS

Lifting speed	70 mm per handle turn (1.6 turns for the complete stroke)
Nominal load	120kg
Maximum load	170kg on 250 mm load centre
Lifting height	1100 mm
Rear wheels	200 mm
Front wheels	Double-swivel castors 50mm diameter with cone bearings
Own weight	25kg
Frame	Steel anodized/ Stainless Steel
Cover	Blue powder coated
Accessories	Stainless steel toe plate and cargo mast



MOBILE MATE



Hercules Complete Lifting Solutions
Unit 2, 18 Hotham Parade
ARTARMON NSW 2064
Toll Free: 1800 649 603
Ph: (02) 9966 5600 Fax: (02) 9966 5622
info@hercules.com.au
www.hercules.com.au