



# SKATES

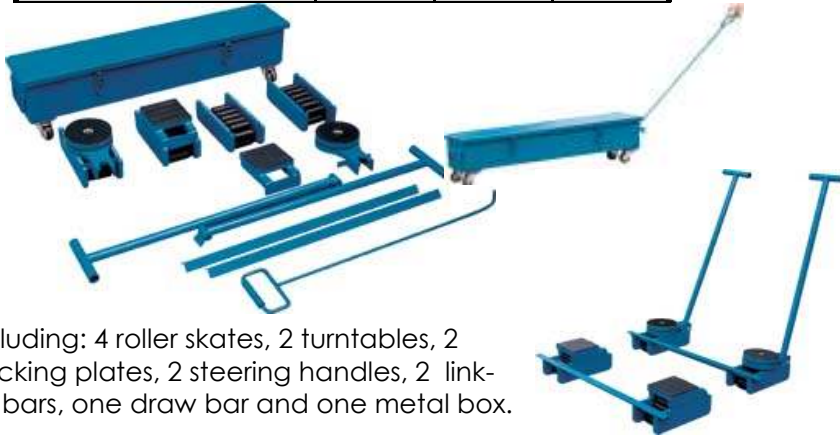
**HERCULES**  
COMPLETE LIFTING SOLUTIONS

Shifting load skates can be used wherever heavy objects have to be moved. The load can be lifted using either the roller crowbar or a jack, allowing the skates to be easily positioned.

The large diameter sealed nylon rollers ensure ease of movement and spread the load, protecting high quality floors from damage caused by high point loads and oil/grease contamination.

The skates are maintenance free and are fitted with handles for ease of carrying and positioning. The platforms of the skates are fitted with a rubber surface which helps protect the object being moved.

COMPLETE SET SKATES				
SPECIFICATIONS		SK20	SK30	SK60
Capacity	(tonne)	20	30	60
Length support	(mm)	120	120	130
Width support	(mm)	120	120	130
Total height	(mm)	108	117	140
Rollers dia.	(mm)	18	24	30
Swivel Top	(mm)	130	130	150
Weight of set	(kg)	50	58	92



Including: 4 roller skates, 2 turntables, 2 packing plates, 2 steering handles, 2 link-up bars, one draw bar and one metal box.



ROLLER CROWBAR		
SPECIFICATIONS		RC15
Capacity	(tonne)	1.5
Length	(mm)	2000
Maximum skate height	(mm)	200
Roller width & length	(mm)	55 x 100
Skate weight	(kg)	13



SF10



SF20



SF25



SF30



SF60

## FIXED TYPE SKATES

SPECIFICATIONS		SF10	SF20	SF25	SF30	SF60
Capacity	(tonne)	1	2	2.5	3	6
No. of rollers		4	8	2	4	6
Skate dimensions L x W x H	(mm)	330 x 220 x 120	330 x 220 x 120	210 x 100 x 105	330 x 300 x 120	260 x 230 x 105
Skate weight	(kg)	7	8	4	9.5	12

Hercules Complete Lifting Solutions  
Unit 2, 18 Hotham Parade  
ARTARMON NSW 2064  
Toll Free: 1800 649 603  
Ph: (02) 9966 5600 Fax: (02) 9966 5622  
info@hercules.com.au  
www.hercules.com.au



**HERCULES**  
COMPLETE LIFTING SOLUTIONS

# SKATES

SKATES WITH CASTORS			
SPECIFICATIONS		SC102	SC104
Capacity	(tonne)	1	1
No. of rollers		2	4
No. of fixed castors		2	0
Skate length	(mm)	430	430
Skate width	(mm)	340	340
Skate height	(mm)	120	120
Skate weight	(kg)	13	14



CM60



CM120



CM240



ADJUSTABLE STAKES				
SPECIFICATIONS		CM60	CM120	CM240
Capacity	(tonne)	6	12	24
Type of roller		nylon	nylon	steel
No. of rollers		8	12	16
Skate dimension L x W x H	(mm)	300 x 250 x 115	360 x 220 x 115	360 x 220 x 115
Skate weight	(kg)	30	38	65

STEERABLE SKATES			
SPECIFICATIONS	ST30	ST60	ST120
Capacity (tonne)	3	6	12
Type of roller	nylon	nylon	steel
No. of rollers	4	8	8
Roller Size (mm)	85 x 90	85 x 90	83 x 85
Skate length (mm)	310	630	603
Skate width (mm)	255	400	400
Skate height (mm)	105	115	115
Skate weight (kg)	15	50	66



ST30



ST60



ST120

Hercules Complete Lifting Solutions  
Unit 2, 18 Hotham Parade  
ARTARMON NSW 2064  
Toll Free: 1800 649 603  
Ph: (02) 9966 5600 Fax: (02) 9966 5622  
info@hercules.com.au  
www.hercules.com.au