



HERCULES
COMPLETE LIFTING SOLUTIONS

SMART TOW TRACTOR

Towing heavy loads is now made easy with our new Smart Tow Tractor. This tow tractor can take loads from 1000kg to 2500kg depending on the model.

Applications: For moving any rolling objects such as dolly's, trolleys & roll cages in warehouses, workshops, supermarkets etc.

The SM1000 comes with hook, charger stand and charger.

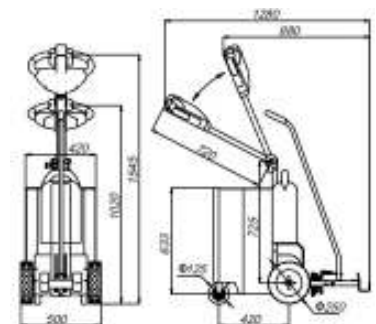
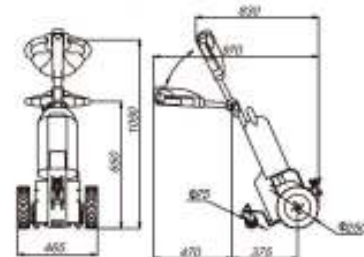
The SM250 comes with hook, built in charger and battery

Features

- Two models available.
- Can be used in a wide variety of applications.
- Very compact design to make machine extremely manoeuvrable and very easy to take it with you.
- Very easy to connect the hook to the object in an instant.
- High quality Curtis speed controller, which is programmable to your needs.



Specifications	SM1000	SM2500
Capacity	1000kg	2500kg
Driving Motor	DC Motor 24V, 300W	DC Motor 24V, 600W
Travel Speed	0-6kg per/hour	0-6km per/hour
Battery	24V/18Ah	24V/80Ah
Charger	24V/3A	24V/10A



Hercules Complete Lifting Solutions
Unit 2, 18 Hotham Parade
ARTARMON NSW 2064
Toll Free: 1800 649 603
Ph: (02) 9966 5600 Fax: (02) 9966 5622
info@hercules.com.au
www.hercules.com.au